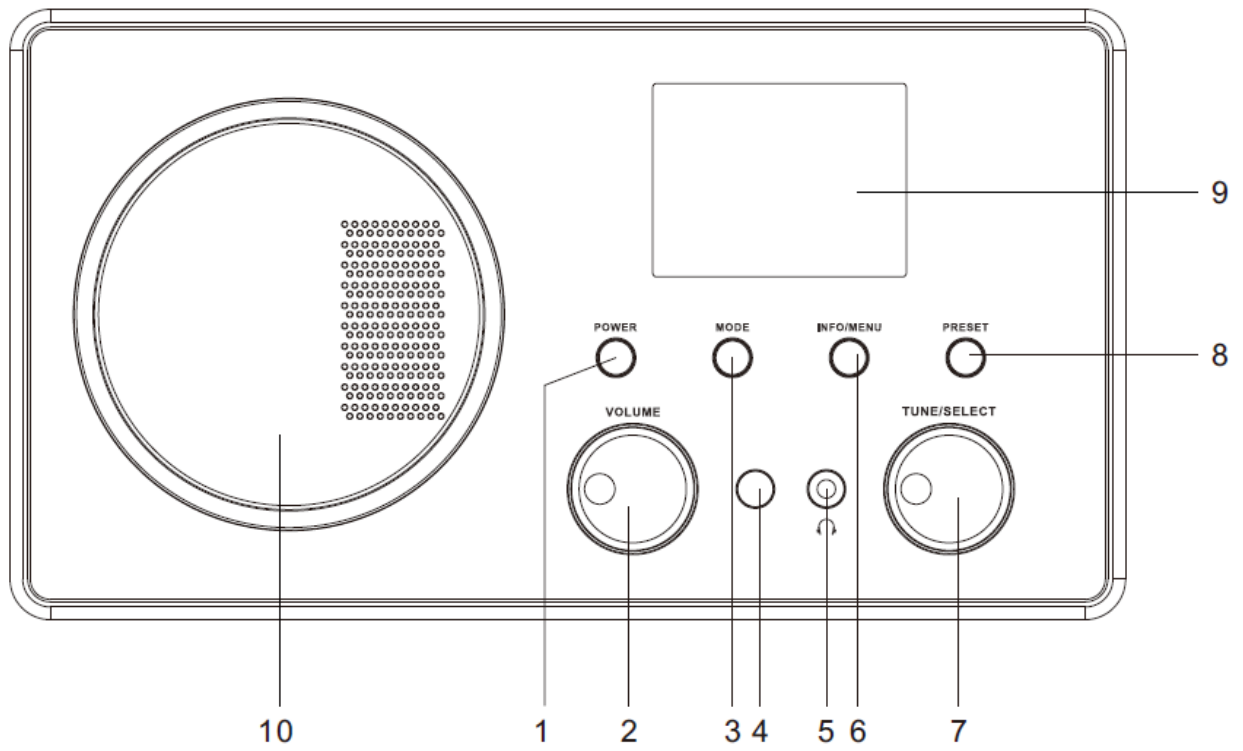


# DAB System

## User Manual



## WELCOME

You have made an excellent choice with the purchase of this quality EnVivo brand product.

By doing so you now have the assurance and peace of mind, which comes from purchasing a product that has been manufactured to the highest standards of performance and safety, supported by the high quality standards of EnVivo.

We want you to be completely satisfied with your purchase so this EnVivo product is backed by a comprehensive manufacturer's 3-year warranty and an outstanding after sales service through our dedicated Helpline.

We hope you will enjoy using your purchase for many years to come.

If you require technical support or in the unlikely event that the purchase you have made is faulty, please telephone our Helpline for immediate assistance. Faulty product claims made within the 3 year warranty period will be repaired or replaced free of charge provided that you have satisfactory proof of purchase (keep your till receipt safe!) This does not affect your statutory rights. However, be aware that the warranty will become null and void if the product is found to have been deliberately damaged, misused or disassembled.

## General

READ CAREFULLY BEFORE USE.

## Symbol Explanation



--- Product that come with this symbol use direct current.



This unit is double insulated.



For indoor use only.



The center (tip) of the output plug is positive (+) and the barrel of the output plug is negative (-).

## Safety

Read and follow the safety instructions.

## GENERAL INFORMATION AND SAFETY INSTRUCTIONS

In order to avoid damages to your device, we advise you to read all the safety information and operating instructions before using this DAB radio.

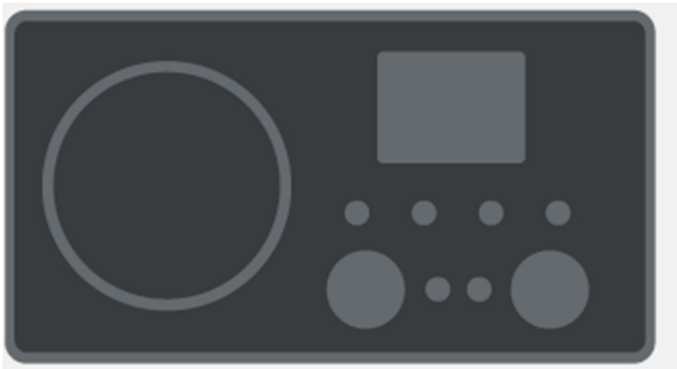
1. Do not drop, disassemble, open, crush, bend, deform, puncture, shred, microwave, incinerate, paint, or insert foreign objects into this device.
2. Do not expose the DAB radio to moisture or submerge it in liquid. Keep it dry at all times.
3. Always keep the product out of reach of babies and small children, in order to avoid any potentially dangerous situations.

### WARNING

1. Please do not use or store the unit in high temperature or hazardous locations.
2. Please do not expose the unit to rain.
3. Please do not disassemble, repair or modify the unit.
4. This appliance can be used by children aged from 8 years and above and persons with reduced physical, sensory or mental capabilities or lack of experience and knowledge if they have been given supervision or instruction concerning use of the product in a safe way and understand the hazards involved. Children shall not play with the product. Cleaning and user maintenance (inc. changing batteries) shall not be made by children.

## In the box

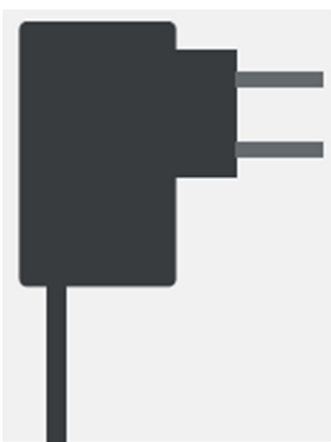
DAB Radio



Remote



Power Adapter



Manual



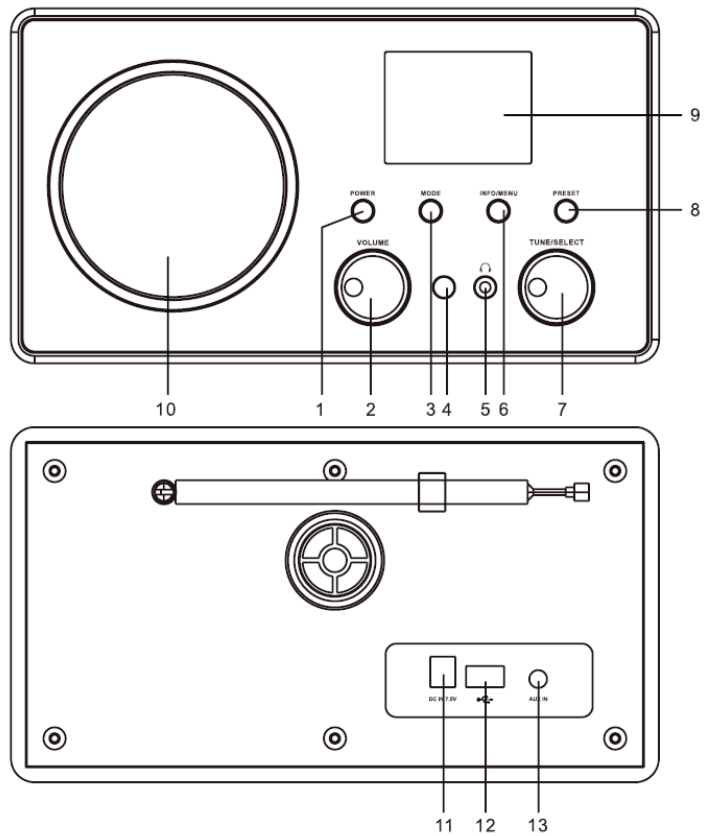
Warranty card



## Product overview

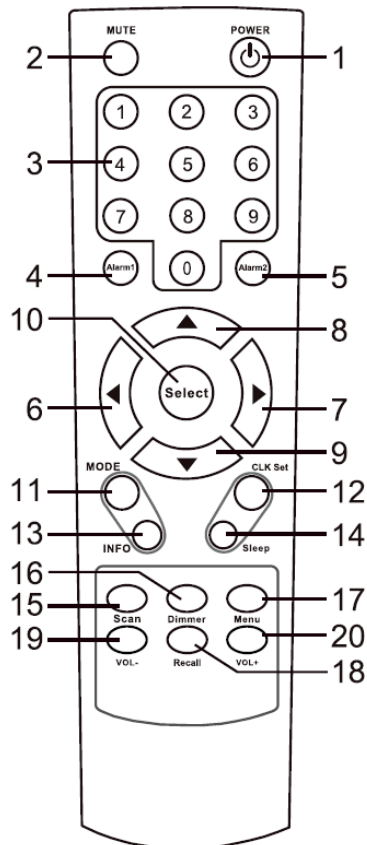
### DAB System

1. Power
2. Volume
3. Mode
4. Remote Sensor
5. Earphone Jack
6. Info / Menu
7. Tune / Select
8. Preset
9. 2.4" Display
10. Speaker
11. DC power connector
12. USB Port
13. AUX in port



### REMOTE CONTROL

1. Power
2. Mute
3. Numeric buttons
4. Alarm 1
5. Alarm 2
6. Tune-
7. Tune+
8. Browse+
9. Browse-
10. Select
11. Mode
12. Clock set
13. Info (DAB/FM)
14. Sleep (OFF/15/30/45/60/90 minutes)
15. Scan (DAB/FM)
16. Dimmer
17. Menu
18. Recall
19. Volume-
20. Volume+



## Getting started

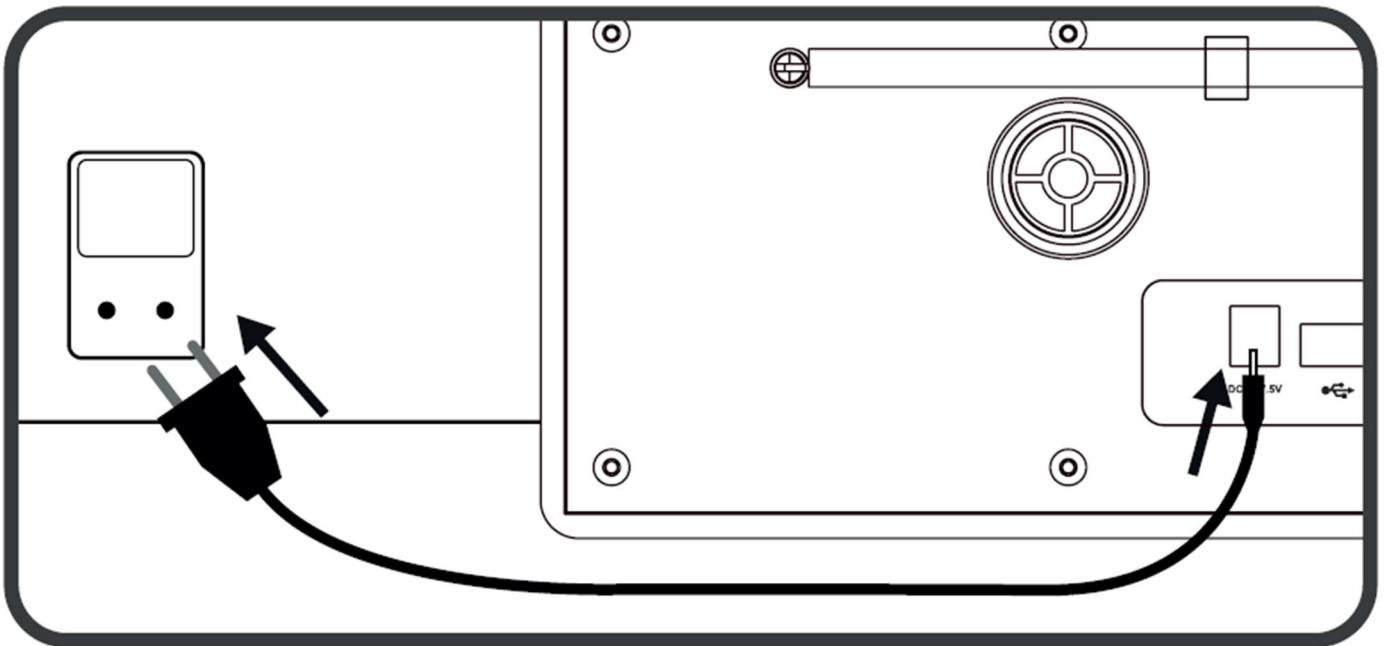
### Unboxing

Open the box and remove the packaging from the product and accessories.

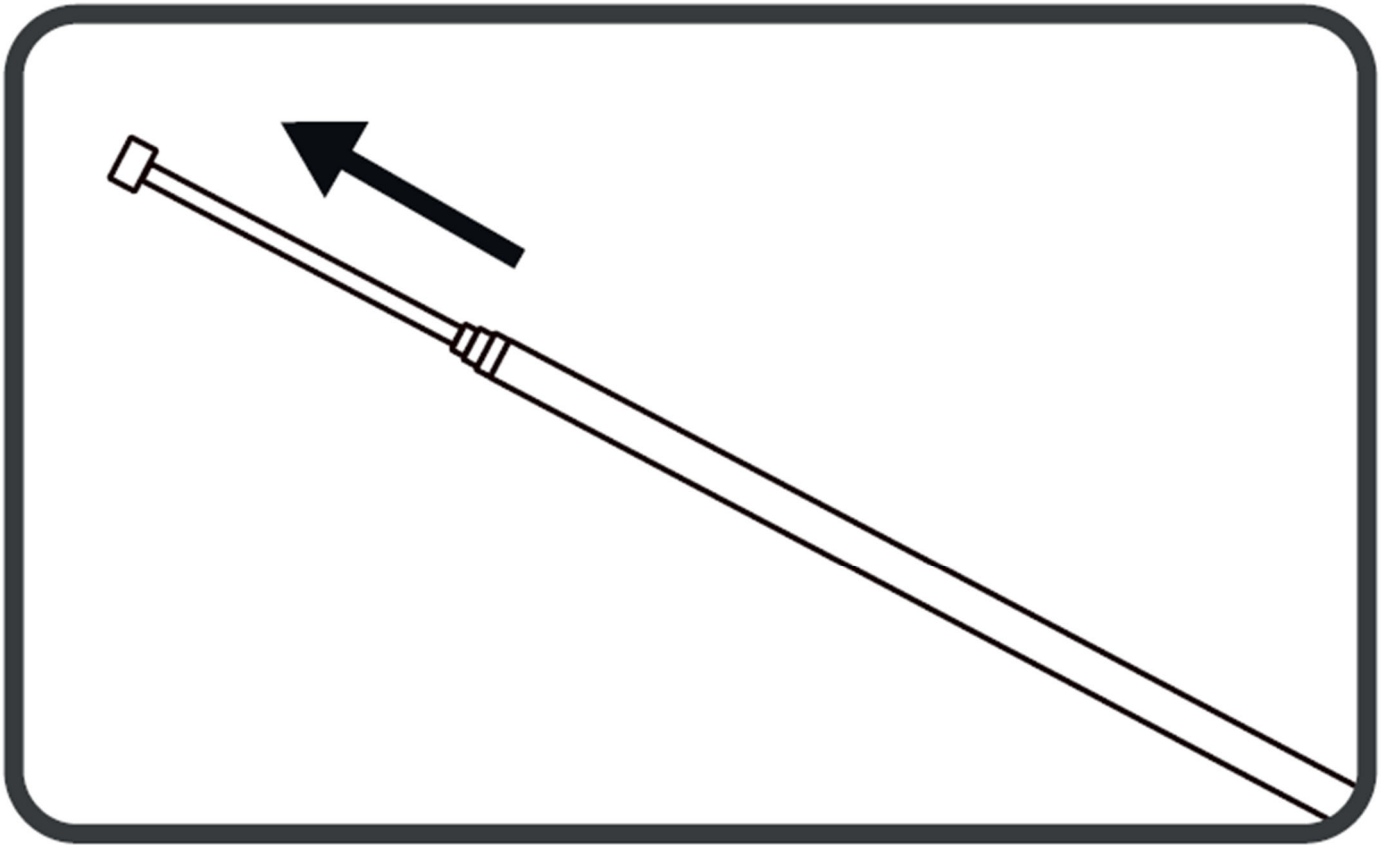
Inspect the radio and cables for damage. If any damage found contact the after-sale number or email include in this manual.

### Power

Plug the power cable to the back of the DAB radio and the power adapter to AC outlet.

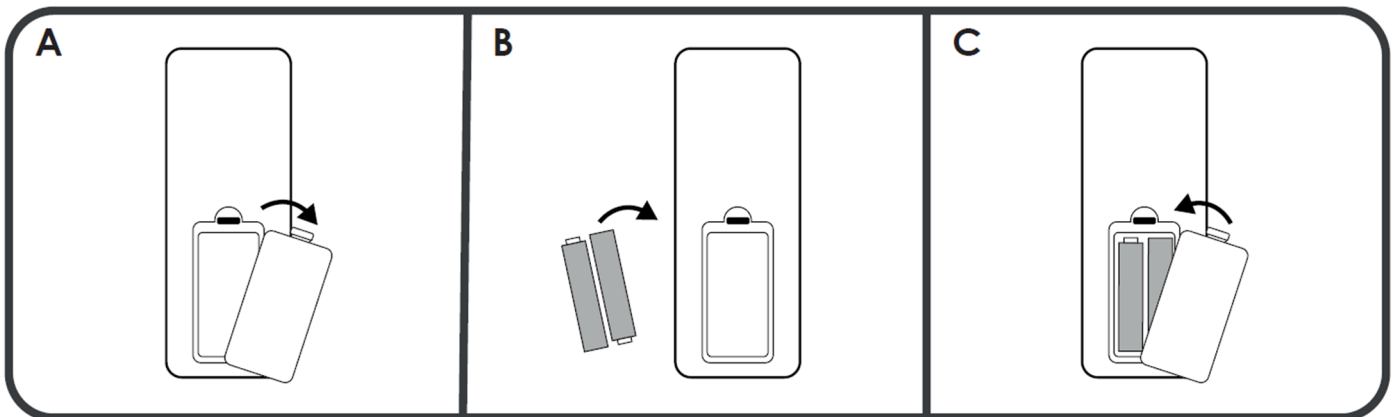


Extend the antenna for optimal reception.



## Remote Control

Requires 2 AAA batteries (not included)



- A) Remove the battery compartment cover
- B) Insert 2 AAA batteries according to the markings inside the compartment.
- C) Close the compartment.

**Warning:** Keep batteries out of reach of toddlers and small children because of the risk of ingestion, which may result in potentially fatal internal damage, or choking.

If battery leakage with skin wash with soap thoroughly. In case of eye contact, seek medical attention immediately.

**Warning:** Remember to use the + and – terminals correctly. Never mix new and used batteries together or mix different battery brands together. If the electrical product is not used over an extended period, the batteries should be removed



from the product. Do not short-circuit, disassemble, charge, and keep the batteries away from open flames. Do not charge none-rechargeable batteries.

## Overview

Powering ON/OFF the system: Press the **POWER** button on the DAB radio or on the remote.

Select mode: Press the **MODE** button on the DAB radio or on the remote. Selected mode will be showed on the display.

Available modes to select from: DAB/FM/Bluetooth/USB/AUX

Adjust volume: Turn the **VOLUME** knob on the DAB radio or press the **VOL+/VOL-** buttons on the remote, to increase/decrease sound volume. Volume range is: 0 (min) – 16 (max).

## DAB Mode

Press **MODE** button on the DAB system or on the remote until display screen shows “DAB”

For optimal DAB reception, extend the antenna on the backside, and position it for optimal signal reception.

The DAB mode includes 30 preset slots where you can save your favorite DAB stations to for quick access.

**Note:** First time you start the radio in DAB mode it will automatically search for DAB stations.

### *Automatic search:*

1. On the DAB radio long press the **Menu** button -> Select Full Scan -> Press down **Select** button.  
For the remote long press the **Scan** button.
2. Scan will start and all DAB station will be stored.

### *Select stations:*

1. On the DAB radio turn the **Tune/Select** knob to scroll between stations. Press in **Tune/Select** knob to confirm.  
On the remote use the **Tune-/Tune+** buttons to scroll between stations. Press **Select** button to confirm.

### *Store station to preset:*

1. Select a DAB station.
2. Long press the **Preset** button on the DAB radio. For the remote press and hold the **Recall** button.
3. Use the **Tune/Select** knob on the DAB radio to select the preset number to store the DAB station to. For the remote use the **Tune-/Tune+** buttons.
4. Press the **Tune/Select** knob to store DAB station to preset. For the remote press the **Select** button.

**Note:** press **PRESET**(DAB radio)/**Recall**(Remote) button a second time to exit save preset.

### *Select preset station*

1. Short press **Preset** button to enter preset list. For the remote press the **Recall** button.
2. Turn **Tune/Select** knob to select station. For remote use the **Tune-/Tune+** buttons.
3. Press **Tune/Select** knob to play selected station. For remote press the **Select** button.

**Note:** Press **Preset**(DAB radio)/**Recall**(remote) button a second time to exit preset.

Use the **Browse-/Browse+** buttons on the remote to fast toggle between preset stations.

### *Enlarge/reduce DAB station icon size*

Press the **Tune/Select** button on the DAB radio to enlarge/reduce size of station image. For the remote press the **Select** button.

### *Display info*

Press the **Info/Menu** button to toggle between different information to be showed on the display screen. For remote press the **Info** button.

You can toggle between the following info to be displayed:

- |                                   |                           |
|-----------------------------------|---------------------------|
| 1. Station info                   | 4. Frequency and channel  |
| 2. Signal strength/ signal error. | 5. Bitrate and audio type |
| 3. Program type                   | 6. Date                   |

### *DAB menu:*

1. Long press the **Info/Menu** button to enter menu. For remote press the **Menu** button.
2. Use the **Tune/Select** knob to scroll between options. For the remote use the **Tune-/Tune+** buttons.
3. Press **Tune/Select** knob to confirm selected option. For remote press the **Select** button.

**Note:** Press **INFO/MENU** button again to exit DAB menu. For remote press the **Menu** button again.

Station list	List of all store DAB+ Stations	
Full Scan	Scan and store all DAB stations.	
Manual tune	Manual tune DAB signal.	<ol style="list-style-type: none"> <li>1. Use <b>Tune/Select</b> knob to tune. For remote use <b>Tune-/Tune+</b></li> <li>2. Press <b>Tune/Select</b> to confirm. For remote press <b>Select</b> button</li> </ol>
DRC	Dynamic range compression (Off, low or high)	Adjust the sound output by reducing the volume of loud sounds and amplifying the quiet sounds. When off, the sound will not be adjusted. <ol style="list-style-type: none"> <li>1. Use <b>Tune/Select</b> knob to change. For remote use <b>Tune-/Tune+</b></li> <li>2. Press <b>Tune/Select</b> knob to confirm selection. For remote press <b>Select</b>.</li> </ol>
Prune	Clean the DAB station list of all invalid stations. Select YES to confirm selection. No to cancel. Press <b>Tune/Select</b> to confirm. For remote press <b>Select</b> .	
TA	Traffic Announcement (On, off)	Receive traffic announcements when set to on.
System	See System settings section for more information	

## FM

Press the **Mode** button on the DAB radio or on the remote until display screen shows “FM”

For optimal FM reception, extend the antenna on the backside, and position it for optimal signal reception.

The FM mode includes 30 preset slots where you can save your favorite FM stations to for quick access.

### Manual search:

1. Adjust FM frequency: turn **Tune/Select** knob. For remote use **Tune-/Tune+** buttons.
- Find next station: Hold the **Tune+** button on the remote.
- Find previous station: hold the **Tune-** button on remote.

### Automatic search:

1. Automatic search: Long press the **Tune/Select** knob. On remote long press the **Scan** button.
2. Scan will start and all FM station will be stored.

### Select stations:

Enter FM menu and select Station List from menu.

On the remote use the **Browse-/Browse+** buttons to scroll between stations. Press **Select** button to confirm.

### Play preset station:

1. Short press **Preset** button. For remote press **Recall** button.
  2. Turn **Tune/Select** knob to select stations. For remote press **Tune-/Tune+** buttons.
  3. Press **Tune/Select** knob to play selected station. For remote press **Select** button.
- Selected station will now play.

### Manually save station to preset:

Station can be manually saved to preset.

1. Long press the **Preset** button. For remote long press the **Recall** button.
2. Turn the **Tune/Select** knob to select the number you want to save station to. For remote use **Tune-/Tune+** buttons.

3. Press the **Tune/Select** knob to save station. For remote press **Select** button.

### *Display info*

Press the **Info/Menu** button to toggle between different information to be showed on the display screen. For the remote press the **Info** button.

You can toggle between the following info to be displayed:

1. Radio text
2. Program type
3. Strength
4. Date

### FM menu:

1. Long press the **Info/Menu** button to enter menu. For remote press the **Menu** button.
2. Use the **Tune/Select** knob to scroll between options. For the remote use the **Tune-/Tune+** buttons.
3. Press **Tune/Select** knob to confirm selected option. For remote press the **Select** button.

**Note:** Press **INFO/MENU** button again to exit DAB menu. For remote press the **Menu** button again.

FM Station List	List of all store FM Stations	
Scan settings	All stations	Scan and save all stations to preset when scanning for stations.
	Strong stations	Only save stations with strong signals to preset when scanning for stations.
Audio settings	Force mono	Always play sound in mono (1 channel)
	Stereo allowed	Allow playing sound in stereo, if supported (2 or more channels)
System	See System settings section for more information	

## Bluetooth

### Bluetooth instructions

1. Press the **Mode** button on the DAB radio or on the remote until display screen shows “BT”  
If no Bluetooth device is connected to the DAB radio, then the Display screen text will show “Pairing”.
2. Turn on Bluetooth on you Bluetooth device.
3. Find “ENV-1674” under available Bluetooth connection on your Bluetooth device and select it.
4. You Bluetooth connection should now say “Connected” on your Bluetooth device and the display will show the text “Connected”.
5. Sound from your Bluetooth device will now be played on the DAB radio.

**Note:** Remember to turn up volume on Bluetooth device when playing via Bluetooth.

**Note:** Remember to disable the Bluetooth connection to the currently connected Bluetooth device before you can connect a new Bluetooth device to the DAB radio. The DAB radio can only be connected to one Bluetooth device at a time.

### Bluetooth controls:

Play/pause: press **Tune/Select** knob. On remote press **Select** button.

Previous track: Turn **Tune/Select** knob counter clockwise. On remote press **Tune-** button.

Next track: Turn **Tune/Select** knob clockwise. On remote press **Tune+** button.

**Note:** Button controls is not supported on all apps and in browser mode.

## USB

### *Instructions:*

1. Press the **Mode** button on the DAB radio or on the remote until display screen shows “USB”
2. Insert USB flash drive with music files.
3. Music files from the flash drive will automatically start to play.

**Note:** The DAB radio supports only MP3 sound files.

**Note:** USB flash drive supported is 128GB.

### *USB controls:*

Pause/play: Press **Tune/Select** knob. For remote press **Select** button.

Previous track: Turn **Tune/Select** knob counter clockwise. For remote press **Tune-** button.

Next track: Turn **Tune/Select** knob. For remote press **Tune+** button.

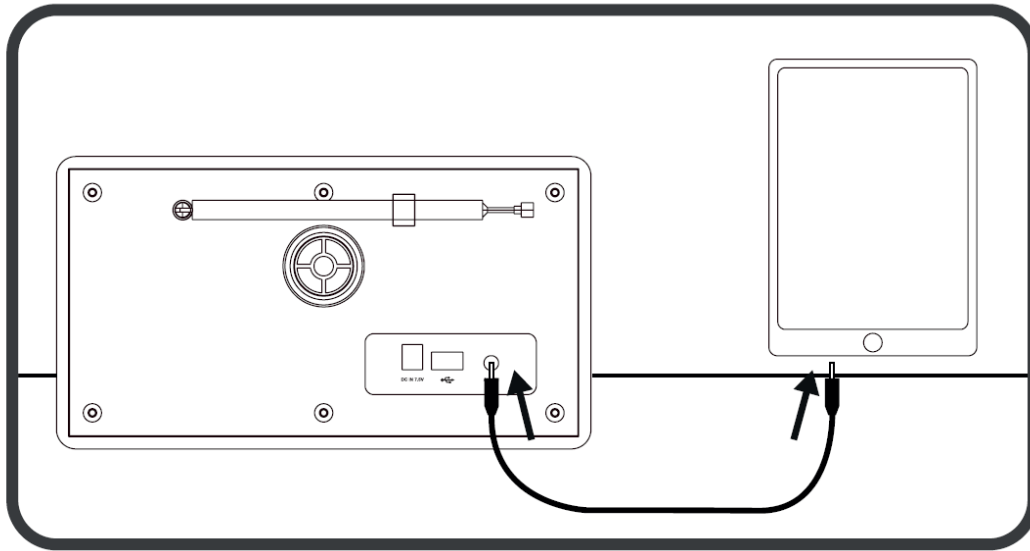
[**0-9**] buttons: Use number buttons to select number track

**Note:** For selecting a 2-digit number track press two number buttons in quick succession.

## AUX

### *Aux instructions*

1. Press the **Mode** button on the DAB radio or on the remote until “Aux” is showed on the display screen.
2. Connect a 3.5mm cable (not included) to the AUX IN port on the back of the DAB radio and to a phone/tablet/other sound playing device.
3. Use native controls on Aux connected device to play music.
4. **Note:** Remember to turn up volume on your sound playing device when using AUX mode.





## System settings

System settings can be entered in any mode on the DAB radio.

### Enter System settings:

1. Long press the **Info/Menu** button to enter menu. For remote press the **Menu** button.
2. Use the **Tune/Select** knob to scroll between options. For the remote use the **Tune-/Tune+** buttons.
3. Press **Tune/Select** knob to confirm selected option. For remote press the **Select** button.

**Note:** Press INFO/MENU button again to exit DAB menu. For remote press the **Menu** button again.

System	Sleep (off, 15, 30, 45, 60, 90 or 120)	Set the DAB radio to go into standby mode after selected minutes.		
	Alarm (Alarm 1, Alarm 2)	Set alarm. See alarm section for setup instructions.		
	Time	Time setup. See time section for setup instructions.		
	Backlight	Timeout (10, 20, 30, 45, 60, 90, 120, 180 or ON)	Timer in seconds for when display light will go into power saving mode after not receiving input from user. Set to ON to turn off power saving mode.	
		On level 0 - 8	Set display brightness level when powered on.	
	Language	Select language		
	Factory reset	Reset DAB system to default settings		
SW version	Display current software version			

## Setting the alarm

When setting the alarm, use the **Tune/Select** knob on the DAB radio to change settings and press the **Tune/Select** knob to confirm selection. For remote use the **Tune-/Tune+** buttons to change settings and press the **Select** button to confirm selection.

To enter Alarm on DAB radio long press the **Info/Menu** button and Select System -> Alarm and select Alarm 1 or Alarm 2.

For the remote press the **Alarm1** or **Alarm2** button.

Enable: Set Cycle mode (Daily/Once/Weekends/Weekdays).

Time: Set alarm hours. Confirm to continue. Set alarm minutes. Confirm to continue.

Mode: Set alarm Source mode (Buzzer/DAB/FM).

Preset: Set alarm preset station (for DAB and FM).

Volume: Set the alarm volume.

Save: Save alarm settings.

## Snooze

When the alarm sounds, press **Tune/Select** knob or Mode button to delay the alarm for 5 minutes. For remote press the **Select** button.

To cancel the alarm or snooze, press the **Power** button on the DAB radio or on the remote.

## Sleep function

You can program the DAB system to go into standby mode after 15, 30, 45, 90 or 120 minutes. Select Sleep off to turn off sleep function.

Using the remote press the **Sleep** button and use the **Tune-/Tune+** buttons to set sleep time.

Using the DAB radio see the Settings section.

## Clock

The clock and date will auto synchronize every time the system is set to DAB or FM mode.

You can also manually set the time and date.

Using the remote press the CLK Set button. Use the **Tune-/Tune+** buttons to change time/date and press **Select** button to confirm selection.

See System section for setting clock using the controls on the DAB radio.

## Backlight

You can change the backlight level on the DAB radio using the **Dimmer** button.

For setting it using the DAB radio buttons see the System section.

## Cleaning and maintenance

Before cleaning remove the power adapter from the AC outlet.

Never use strong cleaning solvent, any type of brush or any sharp objects. They can damage the surface of the product.

Never submerge the product into water.

Clean the product with a damp cloth. Make sure to let all parts dry before using product.

## Storage

Keep product out of direct sunlight and in a dry area.

## Specifications

Model number: ENV-1674

Input Voltage: 7.5V $\overline{\text{---}}$  1.2A

Bluetooth V5.0 range up to 10 meters

Bluetooth frequency: 2402MHz-2480MHz

EIRP POWER (MAX.): 4DbM

FM radio with 30 preset stations

DAB radio with 30 preset stations

Supports USB up to 128GB

3.5mm AUX in jack

3.5mm headphone jack

Speaker output: 5W

2.4" Color display

Rod antenna

Multi-language OSD

Powered by AC mains socket

Dimension: 22 x 11,3 x 12,7 cm

## Remote

Batteries: 2 x AAA Batteries 1.5V

## Power adaptor

Model: FJ-SW112A0751200E

Input: 100-240V~50/Hz 0.4A Max

Output: 7.5V $\overline{\text{---}}$ 1.2A, 9.0W

## FAQ

### **No DAB reception.**

- Please perform factory reset (see System section) and extend the antenna.
- Move your DAB radio closer to the window.

### **Radio reception is poor**

- Check that the antenna is extended for optimal reception.
- Check that you do not have other electrical equipment too close to your radio, causing interference.

### **No sound**

- Adjust the volume using the **Tune/Select** knob.
- Check that power is connected to the radio.

