

EnVivo

User Manual Bluetooth Water Speaker



AFTER SALES SUPPORT



GB 0333 200 5846 DE 1890 917 060



accessionx-uk@teknihall.com

- Water Speaker
- Micro USB cable
- Line In cable
- Stereo cable
- User Manual

MODEL: 1477 PC: 73943 11/2016

3

YEAR WARRANTY

CONTENTS

WELCOME	4
PRODUCT OVERVIEW	6
KEYS TO OPERATION	7
BLUETOOTH MODE	8
AUX MODE	10
CHARGING	11
WATER DANCING	12
WARNING	12
CAUTION	17
IMPORTANT SAFETY INFORMATION	17
TECHNICAL INFORMATION	21
DISPOSAL.....	22
INFORMATION REGARDING THE CONFORMITY DECLARATION.....	22
WARRANTY CARD.....	27

WELCOME

You have made an excellent choice with the purchase of this quality EnVivo brand product.

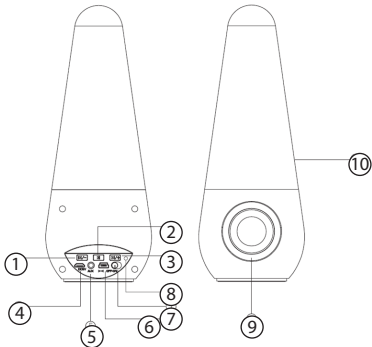
By doing so you now have the assurance and peace of mind which comes from purchasing a product that has been manufactured to the highest standards of performance and safety, supported by the high quality standards of EnVivo.

We want you to be completely satisfied with your purchase, so this EnVivo product is backed by a comprehensive manufacturer's 3 year warranty and an outstanding after sales service through our dedicated Helpline.

We hope you will enjoy using your purchase for many years to come. Before installing and using the product, please read the instructions thoroughly, and retain them for future reference.

Hope you have a pleasant experience.

PRODUCT OVERVIEW



1. Back/Volume down
2. Play/Pause
3. Forward/Volume up
4. Micro USB charging port
5. AUX Port
6. Mini USB to AUX Port
7. Power on/off
8. Charging indicator light
9. Speaker
10. Lampshade

KEYS TO OPERATION

Power on/off	Move the button to the ON/OFF side to turn on/off the speaker.
--------------	--

<p>Play/ Pause</p>	<p>A. Short press to play or pause music. B. Long press to enter Bluetooth re-pairing mode.</p>
<p>Back/ Volume down</p>	<p>A. Under bluetooth mode, short press to go back to last track, long press to decrease volume. B. Under AUX mode, short press has no function, long press to decrease volume.</p>
<p>Forward/ Volume up</p>	<p>A. Under bluetooth mode, short press to move to next track, long press to increase the volume (When it gets to maximum volume, you will hear a "beep" sound.) B. Under AUX mode, short press has no function, long press to increase volume.</p>

BLUETOOTH MODE

Pairing

Turn on the speaker. When you hear the speaker say pairing it is waiting for a Bluetooth connection. Select “WD-1477” on your Bluetooth device (Smartphone, tablet, etc.). The speaker will say “Connected” and you can now play sound on Bluetooth device through the speaker.

Note: If your device requests a password, enter the default “0000”. Refer to the user manual for you specific device for instructions on pairing and connecting Bluetooth devices. When powered on the speaker will automatically connect the last Bluetooth device it was connected to. To remove pairing see the Disconnect section.

Disconnect

Long press "Play/pause" button for 2 seconds, you will hear "Disconnect". The Bluetooth connection will now be cancelled between the Speaker and your Bluetooth Device.

AUX MODE

Plug one end of 3.5mm cable into AUX slot of the speaker and the other end into audio slot of Mobile Phone, Notebook, Tablet PC, MP3/MP4 Player etc. After that, you'll be able to enjoy the music. Speaker will return to bluetooth mode after plug out AUX cable. You will hear "Pairing" after you plug out AUX mode, if the speaker has already been paired with your Bluetooth device, you will hear "Pairing, connected" instead.

LINE-OUT MODE

You can connect the Bluetooth Water Speaker to another Bluetooth Water speaker or one other type speaker.

Under Bluetooth or AUX Mode, plug the mini USB end of Line-out cable into mini USB to AUX slot of the speaker and the other end into AUX slot of other speaker or audio device. Please ensure the other speaker or audio device is in AUX mode. Following this, other connected devices will be able to play music along with water dancing speaker.

CHARGING

Plug the charging cable into the Micro USB slot of the speaker, the USB slot of a PC or the USB slot of a charger to commence charging. When the speaker is

being charged, the indicator light will turn red. Once it is fully charged, the indicator light will turn off. (It is advisable for users to turn off the speaker while charging, it will take a longer time for the speaker to fully charge if it is in use while charging.)

WATER DANCING

Under the Bluetooth or AUX mode, water will dance according to the music tempo, the lights under the water column will be on.

WARNING

1. If the plastic section containing the liquid is damaged in any way we recommend to stop using the speaker and discard it as electric disposal.
2. If the speaker cannot be turned on after

pressing the POWER key, or it turns off on turning on, it is recommended to check whether it is charged. If it is out of power, please get it charged and try again later. If you fail to power on the speaker after holding down the POWER key, the speaker may be temporarily out of order. In this case, you must insert a tiny pin into the audio slot to activate the reset switch (The reset switch is about 16MM from the audio slot). Following this, you should be able to restart the speaker.

3. When charging make sure that the charger you are using is for DC 5V devices(USB port on computer, phone charger, tablet charger , DC 5V chargers

or powerbanks). Using any other charges can damage or break the speaker.

4. If the volume of your Mobile Phone, PC, MP3/MP4 Player, CD, DVD etc. is increased to overly loud sound levels distortion may occur. In case of sound distortion, please decrease the volume of the Mobile Phone, PC, MP3/MP4 Player, CD, DVD or of the speaker. The sound will return to normal after a short amount of time.
5. If the Bluetooth device of your Mobile Phone, PC etc. fails to link to the speaker or if fails to playing music after being connected, the user must ensure he/she has entered the correct password or whether the Bluetooth device of his/her Mobile Phone, PC etc supports A2DP.



CAUTION

WARNING: SHOCK HAZARD. DO NOT OPEN.
AVIS: RISQUE DE CHOCK ELECTRIQUE.
NE PAS OUVRIR.



CAUTION: TO REDUCE THE RISK OF FIRE AND ELECTRIC SHOCK, DO NOT REMOVE THE COVER (OR BACK) OF THE UNIT. REFER SERVICING ONLY TO QUALIFIED SERVICE PERSONNEL.



The lightning flash with arrowhead symbol within an equilateral triangle is intended to alert the user to the presence of uninsulated “dangerous voltage” within the product’s enclosure that may be of significant magnitude to constitute risk of electric shock.



The exclamation point within an equilateral triangle is intended to alert the user to the presence of important operation and servicing instructions in the literature accompanying the appliance.

CAUTION

- Do not block the ventilation openings or holes.
- Do not place any naked flames (such as lighted candles) on the apparatus.
- When discarding batteries, follow all local rules and laws governing the disposal of batteries. Consider the environmental impact of your actions!
- To prevent fire or shock hazard, do not expose this appliance to rain or moisture.

IMPORTANT SAFETY INFORMATION

1. Read Instructions: All the safety and operating instructions should be read before the product is operated.
2. Retain Instructions: The safety and

operating instruction should be retained for future reference.

3. Heed Warnings: All warnings on the product and in the operating instructions should be adhered to.
4. Follow Instructions: All operating and usage instructions should be followed.
5. Cleaning: Unplug this product from the wall outlet before cleaning. Do not use liquid cleaners or aerosol cleaners. Use a damp cloth for cleaning.
6. Attachments: Use only attachments recommended by the manufacturer. Use of other attachments may be hazardous.
7. Water and Moisture: Do not use this product near water (e.g., near a bathtub, washbowl, kitchen sink,

laundry tub, in wet basements, or near a swimming pool and the like).

8. Accessories: Do not place this product on an unstable cart, stand, tripod, bracket, or table. Use only with carts, stands, tripods, brackets, or tables recommended by the manufacturer or sold with the product. Any mounting of the product should follow the manufacturer's instructions and should use a mounting accessory recommended by the manufacturer. A product and cart combination should be moved with care. Quick stops, excessive force, and uneven surfaces may cause the product and cart combination to overturn.

9. Ventilation: Slots and openings in the cabinet are provided for ventilation to ensure reliable operation of the product and to protect it from overheating. These openings should never be blocked by placing the product on a bed, sofa, rug, or other similar surface. This product should not be placed in a built-in installation such as a bookcase or rack unless proper ventilation is provided or the manufacturer instructions have been adhered to.

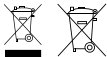
TECHNICAL INFORMATION

Sound Track	Mono
Function	Bluetooth, AUX, Line-out, Water dancing
Bluetooth version	V3.0
BT transmission distance	≤10 meter
Power Supply	DC 5V, Lithium battery
Battery capacity	3.7V 800 mAh
Rated power	3W
Frequency Response	100Hz-18KHz
SNR	80dB
Impedance	4Ω
Audio interface	3.5MM

DISPOSAL

Batteries, electrical and electronic equipment (EEE) contain materials, parts and substances, which can be dangerous to the environment and harmful to human health if waste of electrical and electronic equipment (WEEE) are not disposed of correctly.

Batteries, electrical and electronic equipment, which are marked with the WEEE logo (as shown below), should not be thrown away with your household waste. Contact your Local Authority Waste Disposal Department, as they will be able to provide details of the recycling options available in your area.



INFORMATION REGARDING THE CONFORMITY DECLARATION

Hereby, Accession ApS declares that the radio equipment type BT Water Speaker is in compliance with Directive 2014/53/EU.



The full text of the EU declaration of conformity is available at the following internet address:

<https://www.tekniehall.be/en/declaration/envivo/1477a>

Bluetooth® is a registered trademark of Bluetooth SIG, Inc.

The content of this document is presented as it currently exists. Accession ApS does not accept, neither emphatically nor tacitly, any guarantee for the correctness or completeness of the content of this document. Accession ApS retains for itself the right, at any time and without previous notice, to make amendments to this document or to withdraw it completely.

EnVivo

WARRANTY CARD
BLUETOOTH WATER SPEAKER - 73943

PLEASE KEEP YOUR PURCHASE RECEIPT TOGETHER WITH YOUR CARD.

NAME _____

ADDRESS _____



DATE OF PURCHASE _____

LOCATION OF PURCHASE _____

Detailed description of malfunction

Accession ApS - Vandmanden 34 - DK - 9200
Aalborg SV
www.accessionx.com
accessionx-uk@teknihall.com

AFTER SALES SUPPORT



☎ 0333 200 5846 ☎ 1890 917 060



accessionx-uk@teknihall.com

MODEL: 1477 PC: 73943 11/2016

- Water Speaker
- Micro USB cable
- Line In cable
- Stereo cable
- User Manual

3

YEAR WARRANTY